

INNOVV™

Protect Your Road Trip and Record Fun On The Way

INNOVV K5 Dash Cam

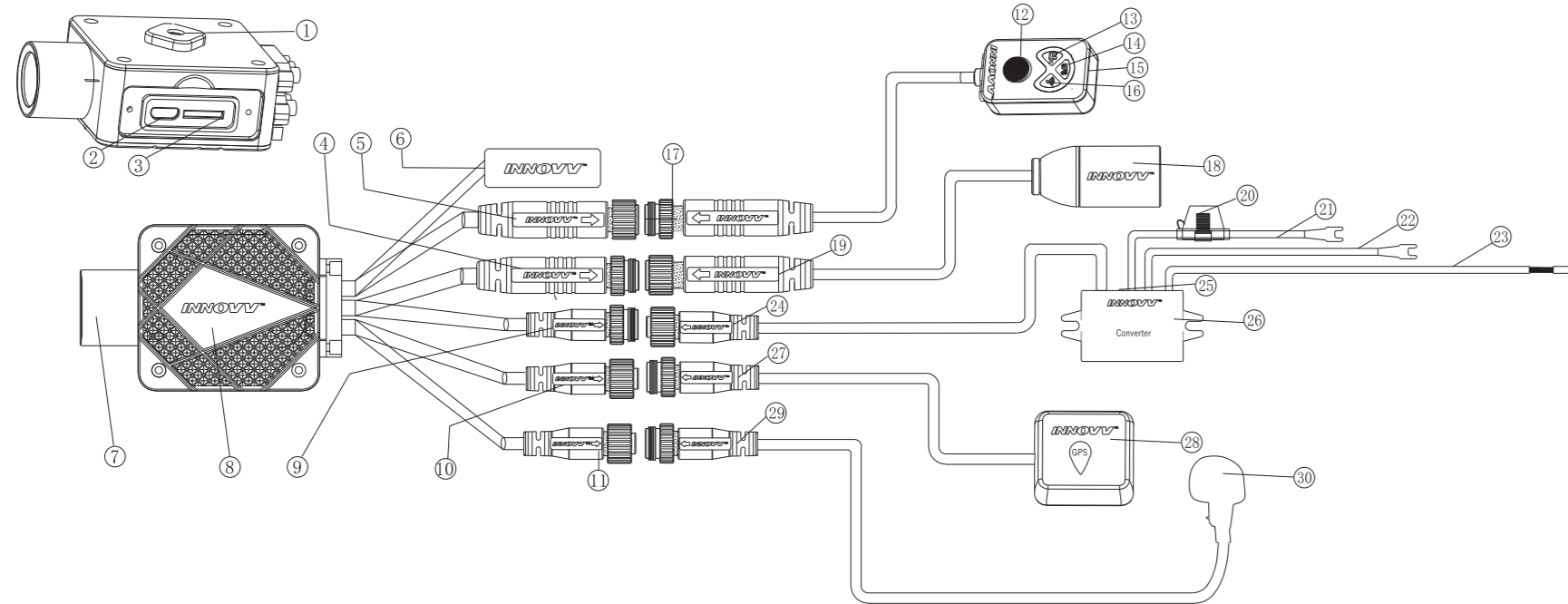
Intended For Powersports (Motorcycles, ATVs, UTVs & Others)

INNOVV K5 Product Overview

1. INNOVV K5 is the brand new 4K motorcycle dash cam that records the real 4K video (over 8 million pixels) at 30FPS with its front camera and 1080P HD quality video at 30FPS with its rear camera.
2. It features dual band Wi-Fi (2.4 GHz/ 5.8 GHz) with faster transmission and more stability.
3. The whole unit is certified with an IP67 rating, and it is absolutely airtight to use on raining days.
4. The whole unit is constructed of durable and lightweight aerospace aluminum alloys, enabling a better anti-electromagnetic interference capability.
5. It uses the intelligent DC converter for power supply to better protect the device from battery draining problem.
6. It runs faster with A53 dual-core processor on DVR.
7. It offers the high level video quality and saves storage space by using the high efficiency video coding (H.265).
8. It is easy and flexible to install with its small size and smart design.

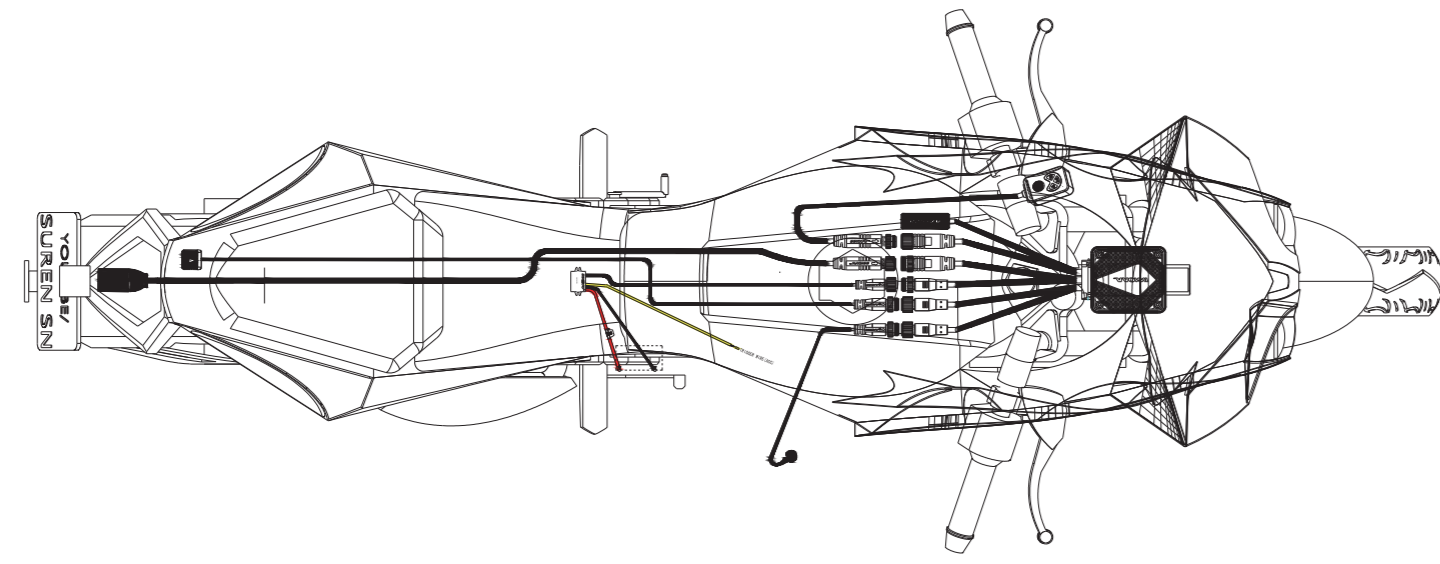


Brief Introduction



1. Mounting Screw Hole
2. USB Port
3. TF Card Port
4. Rear Camera Cable Connected to DVR (6-pin male)
5. Remote Control Cable Connected to DVR (6-pin female)
6. Wi-Fi Antenna
7. Front Camera
8. DVR
9. Power Cable Connected to DVR (3-pin male)
10. GPS Cable Connected to DVR (3-pin female)
11. Microphone Cable Connected to DVR (3-pin female)
12. Function Button
13. Recording Indicator
14. GPS Indicator
15. Remote Control
16. Wi-Fi Indicator
17. Remote Control Cable (6-pin male)
18. Rear Camera
19. Rear Camera Cable (6-pin female)
20. Fuse Holder
21. Positive Terminal of Power Supply
22. Negative Terminal of Power Supply
23. ACC Wire (Offers 12V switch power source after ignition)
24. Power Output Cable (3-pin female)
25. DC Converter
26. GPS Module
27. GPS Cable (3-pin male)
28. GPS Module
29. Microphone Cable (3-pin male)
30. Microphone

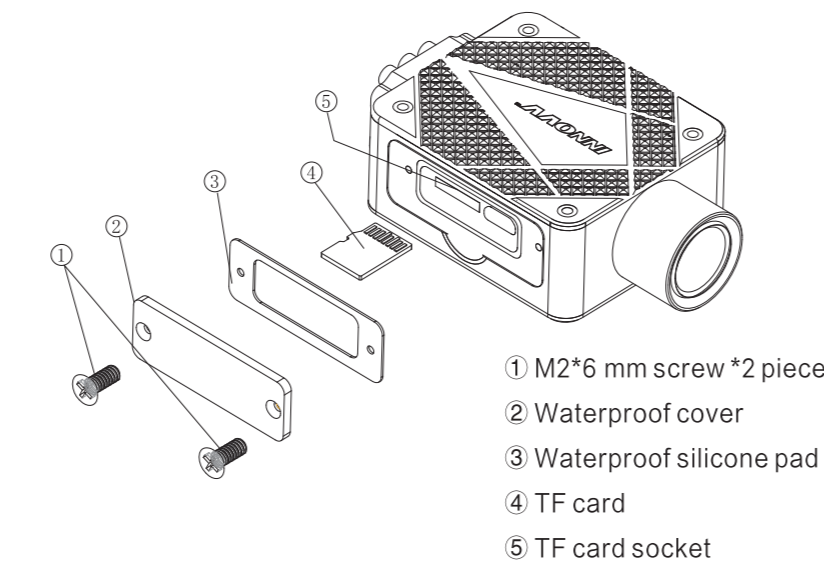
Motorcycle Installation Demo



www.innovv.com

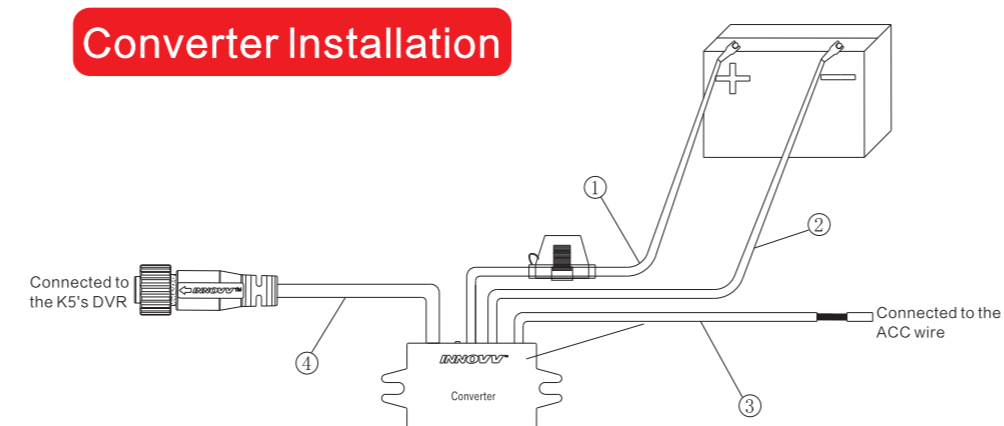
The Installation Guide

TF Card Installation



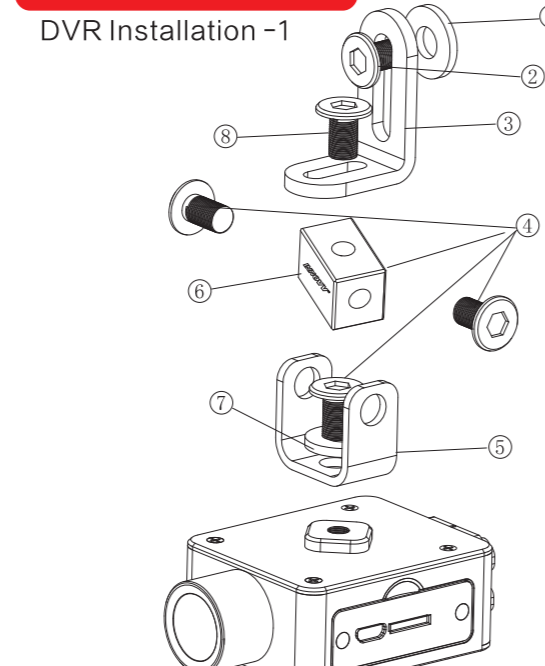
1. M2*6 mm screw *2 pieces
2. Waterproof cover
3. Waterproof silicone pad
4. TF card
5. TF card socket

Converter Installation



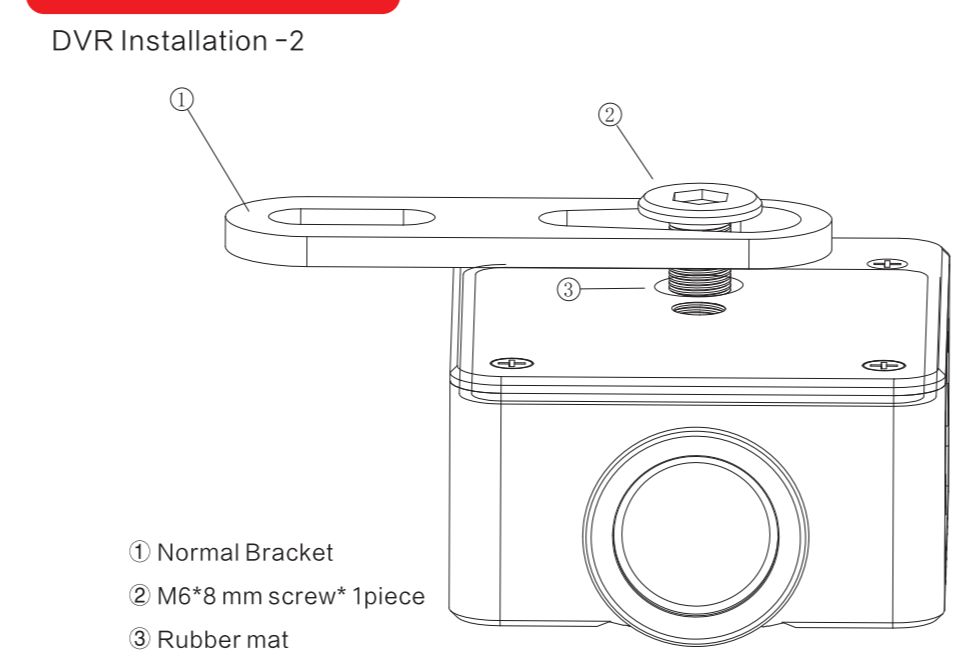
1. Red wire (connected to the positive of battery)
2. Black wire (connected to the negative of battery)
3. Yellow wire (connected to the motorcycle key-on wiring)
4. Power output cable (connected to the DVR)
5. Converter

DVR Installation



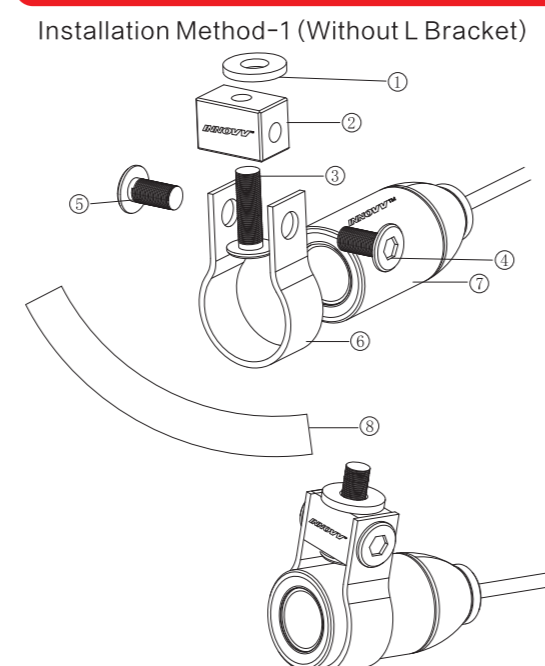
1. Rubber mat
2. M6*25 mm screw *1 piece
3. L bracket
4. M6*8 mm screw *3 pieces
5. U bracket
6. Small block
8. M6*12 mm screw *1 piece

DVR Installation



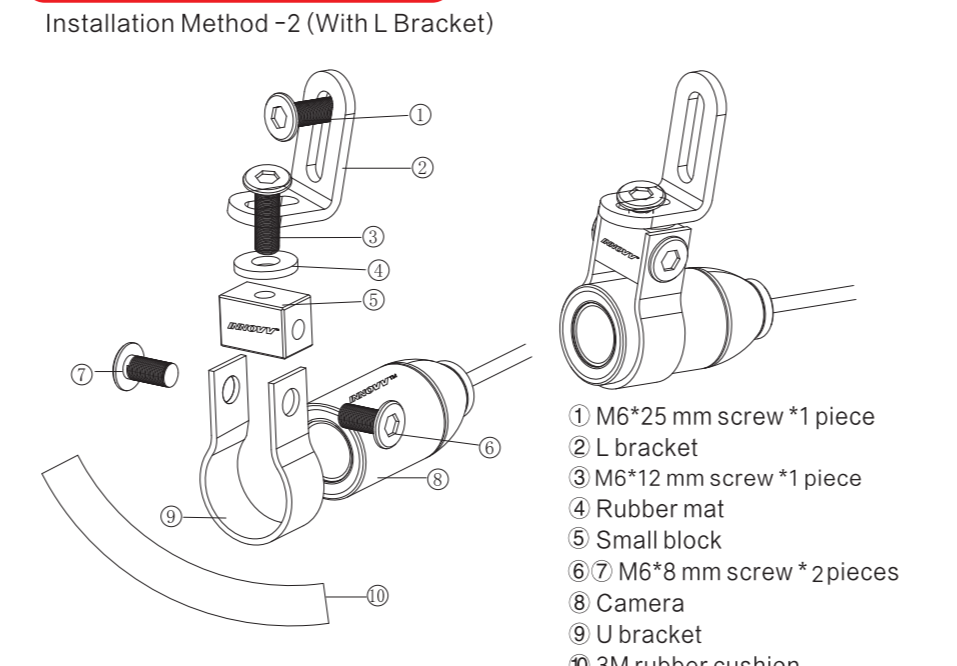
1. Normal Bracket
2. M6*8 mm screw *1 piece
3. Rubber mat

Camera Installation



1. Rubber mat
2. Small block
3. M6*25 mm screw *1 piece
4. M6*8 mm screw *2 pieces
5. U bracket
6. Camera
7. M6*8 mm screw *2 pieces
8. Camera
9. U bracket
10. 3M rubber cushion

Camera Installation



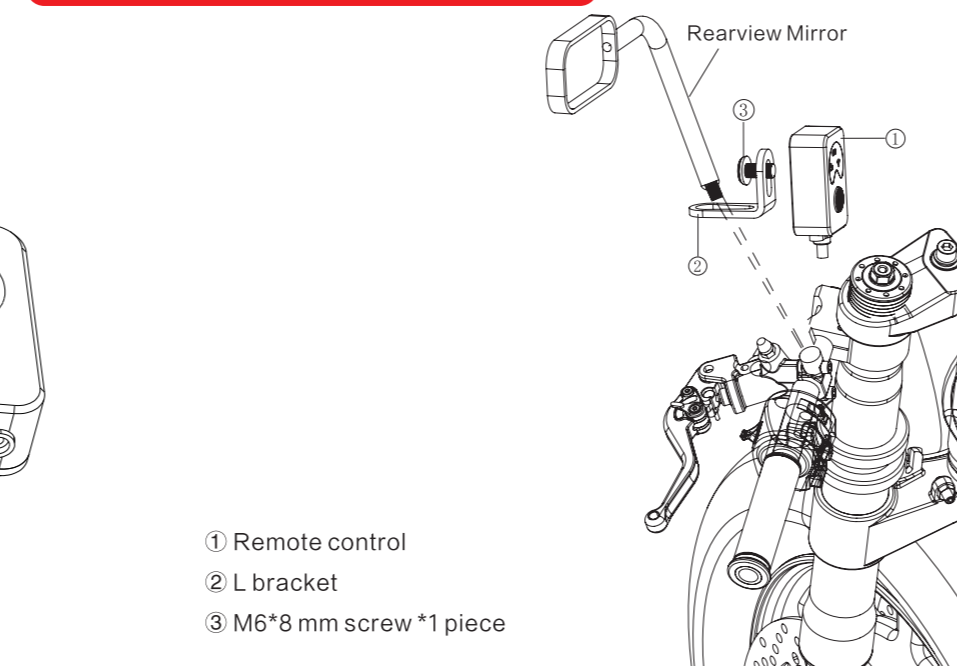
1. M6*25 mm screw *1 piece
2. L bracket
3. M6*12 mm screw *1 piece
4. Rubber mat
5. Small block
6. 7. M6*8 mm screw *2 pieces
8. Camera
9. U bracket
10. 3M rubber cushion

Remote Control Instruction

Status	Off	Solid On	Flash on	Flash on	Flash on	Flash on	Flash on	Flash on
Recording	Not working	Not working	Not working	Not working	Not working	Not working	Not working	Not working
Wi-Fi off	Connected	Disconnected	Connecting	Connecting	Connecting	Connecting	Connecting	Connecting
GPS off	Connected	Disconnected	Connecting	Connecting	Connecting	Connecting	Connecting	Connecting

1. Be cautious when pressing the button for once.
2. Pressing the button repeatedly will not work.
3. Factory reset by pressing the button for 15 seconds.

Remote Control Installation



1. Remote control
2. L bracket
3. M6*8 mm screw *1 piece

INNOVV™

Protect Your Road Trip and Record Fun On The Way

INNOVV K5 Dash Cam

Intended For Powersports (Motorcycles, ATVs, UTVs & Others)

App Installation Guide

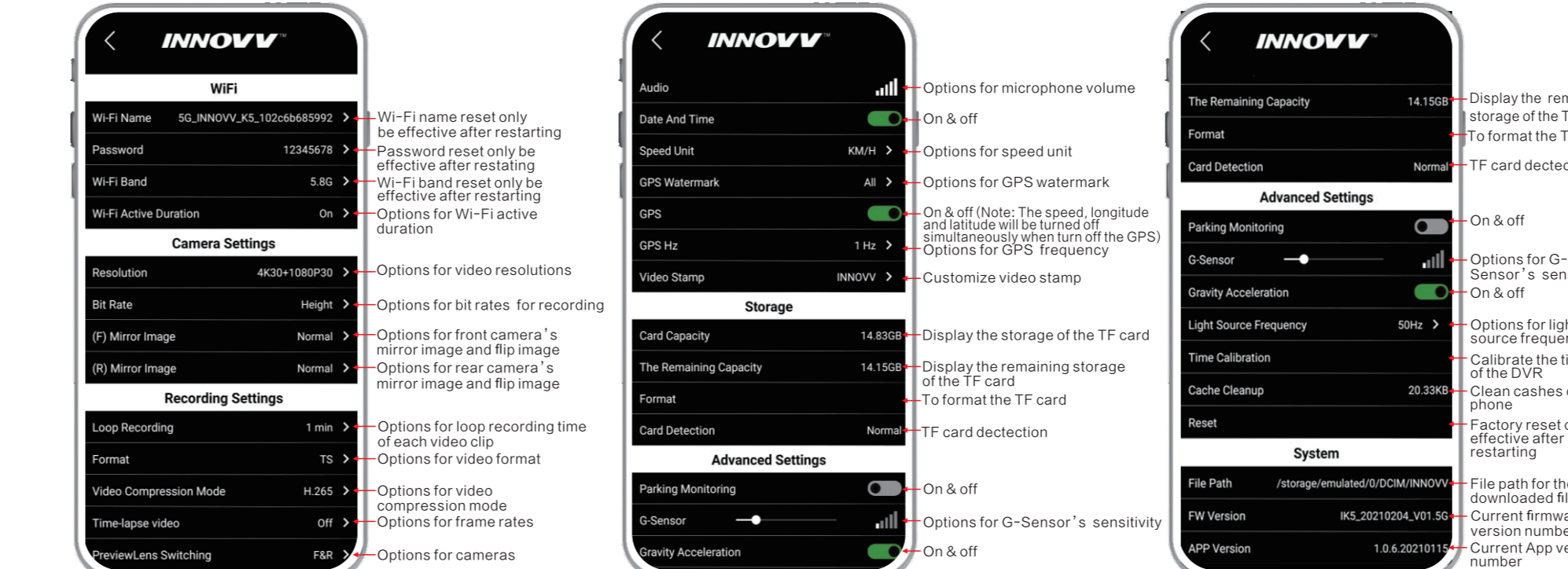
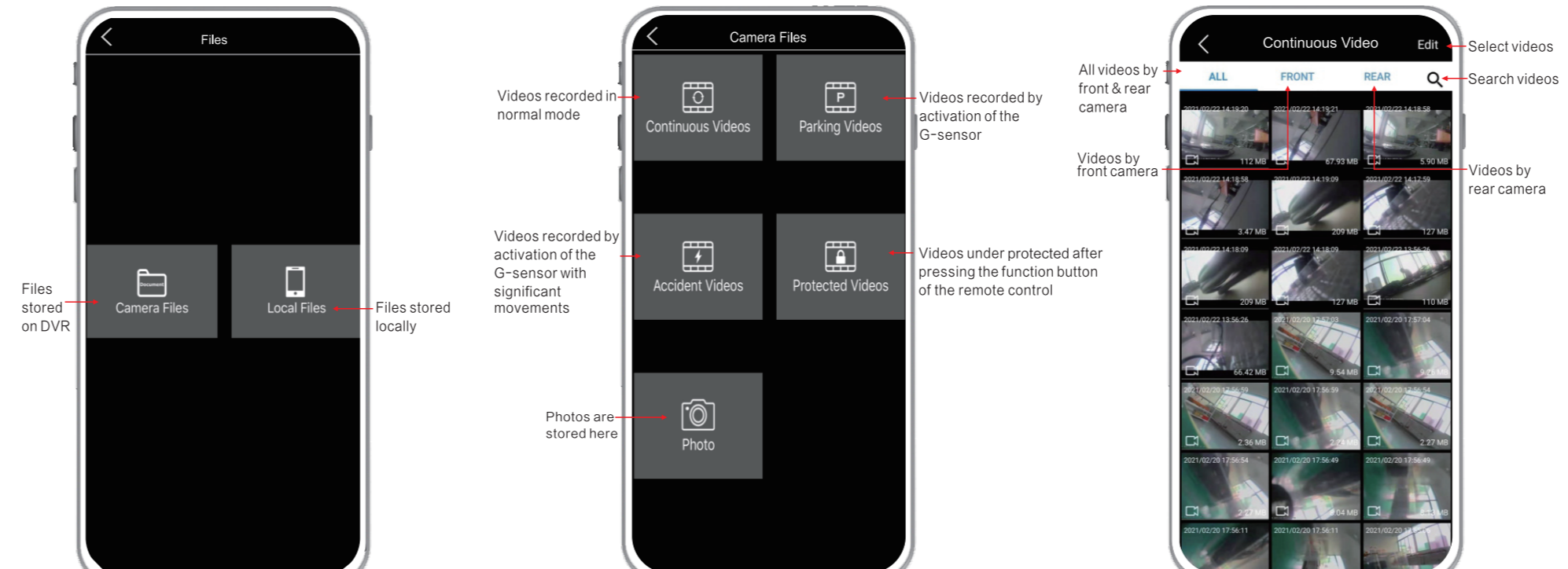
App Download
Android User: Search INNOVV in Google Play Store, then download and install it on your phone.
iPhone User: Search INNOVV in App Store, then download and install it on your phone.

With the DVR working normally and the Wi-Fi indicator lights on, please kindly turn on the Wi-Fi and then search the Wi-Fi network named INNOVV_5.8_5m, and you could easily gain with the default password 12345678.

Some Android users may get the error message that "This WLAN network has no internet access. Connect anyway?" Please kindly click the "Connect" button to continue the network connection.



App Interface



www.innovv.com

TF Card Instruction

INNOVV K5 is equipped with the Sony 6-megapixel sensor on its front camera, producing high-quality 4K Ultra HD video. It is significantly larger than 1080P and as a result requires a lot more storage space. One minute of 4K video at 30 FPS will require a 375 MB. Therefore, you are suggested to use a U3 (UHS Speed Class 3), V30, V60, or V90 (Video Speed Class 30, 60, 90) rated TF card. Please kindly check the UHS Speed Class Mark and the Video Speed Class Mark as below.



Video Speed Class Mark: V30

UHS Speed Class Mark: U3

The INNOVV K5 could support up to **512GB** TF card capacity to enable longer recording times.

Wi-Fi Connection Instruction

The INNOVV K5 is compatible with dual-band Wi-Fi, and the 5.8 GHz Wi-Fi band is enabled by default. If you fail to search the K5's Wi-Fi, please kindly check whether your phone could support the 5.8 GHz Wi-Fi or not first. You could kindly check those smartphones which could support 5.8 GHz Wi-Fi and play 4K videos smoothly from <https://www.innovv.com/smartphone-list>. If not, please kindly download the latest firmware (With Default 2.4 GHz Wi-Fi) from INNOVV website via <https://www.innovv.com/downloads> and follow the instruction to update to the latest firmware.

Time Calibration Instruction

When use the INNOVV K5 for the first time, please kindly connect your phone to the INNOVV K5 dash cam system via Wi-Fi network first and then go to Settings -> Advanced Settings -> Time Calibration to calibrate the time via INNOVV App on your phone.

Microphone Instruction

An open foam cover around the microphone is used as the first line of defence against wind noise. You are suggested to put the microphone against the heading direction to further minimize the wind noise.

Parking Mode Instruction

If the Parking Mode has been enabled with INNOVV App on your phone, INNOVV K5 will provide around-the-clock protection when you are away and even the engine is not running. The K5's smart power supply module triggers parking mode automatically, and the INNOVV K5 will wake up and start recording when an impact or motion is detected by the built-in G-Sensor.

In order to make the Parking Mode function properly, please make sure that the INNOVV K5 should always be connected to a power source. The red wire and the black wire of the converter shall be connected to the motorcycle battery's positive terminal and negative terminal separately. The yellow cable shall be connected to the ACC wire. Lastly, the output voltage of the battery shall be at least 12V.

G-Sensor Instruction

There are 5 grades for the G-sensor's sensitivity and each grade has 2 options. Users could easily adjust that with INNOVV App according to different road conditions. The smaller the number is, and the less sensitive the G-sensor is.

Specification

Model	Structure Parameters	K5	Parameters of Lens
Installation	Side-mounted / Front-mounted		Maximum Resolution: 4K@30FPS
Size	57*27mm	F Lens	Viewing Angle: 120°
RLens	2.8mm	Structure	3.0x1.0
FR Lens	4.0mm	Aperture	F1.8
Max Weight	48g (DVR+100g)	Maximum Resolution	1080P@30FPS
Color	Black	Viewing Angle	120°
Waterproof Rating	IP67	Structure	F1.8
		Aperture	F1.8

Basic Troubleshooting Guidelines

Number	Problems	Solutions
1	Recording indicator flashes slowly and is not working.	Please kindly check the TF card firstly or try another TF card.
2	The recording videos are blurry and the sharp details are lost.	Please kindly clean the camera lens with lens tissue or cleaning cloth.
3	The DVR is not working after motorcycle ignition.	Please kindly check the yellow ACC wire and other cable connection first.
4	There is no video by rear camera.	Please kindly check the rear camera connector and related cables.
5	There are many videos recorded in some mode are saved in the named accident videos.	Please kindly decrease the sensitivity of the G-sensor in settings with INNOVV App.
6	There is no sound in all videos.	Please kindly make sure you have turned on the microphone. If the still fails, please kindly turn off the time-lapse video in settings with INNOVV App.

Important Notice

1. Don't bend the Wi-Fi antenna sharply or kink it.
2. The chipset in DVR may run hot due to heavy use. The whole DVR device is constructed of aerospace aluminum alloys and it spreads the heat well. Please be careful of the over-heating on DVR's case (about 122 °F) after heavy use.
3. Keep wires away from easily overheating areas, such as engine and exhaust during installation.



Protect Your Road Trip and Record Fun On The Way

www.innovv.com